



FEED AND BIOFUEL  
**ROLLER MILL**  
TYPE RM1200

The ANDRITZ RM 1200 is a heavy-duty, high-quality, high-capacity roller mill available as a 2- or 3-module version. The RM1200 can be equipped easily with a stone/metal separator and has a built-in recirculating system. The ANDRITZ advanced feeding system provides precise and uniform feeding over the full length of the

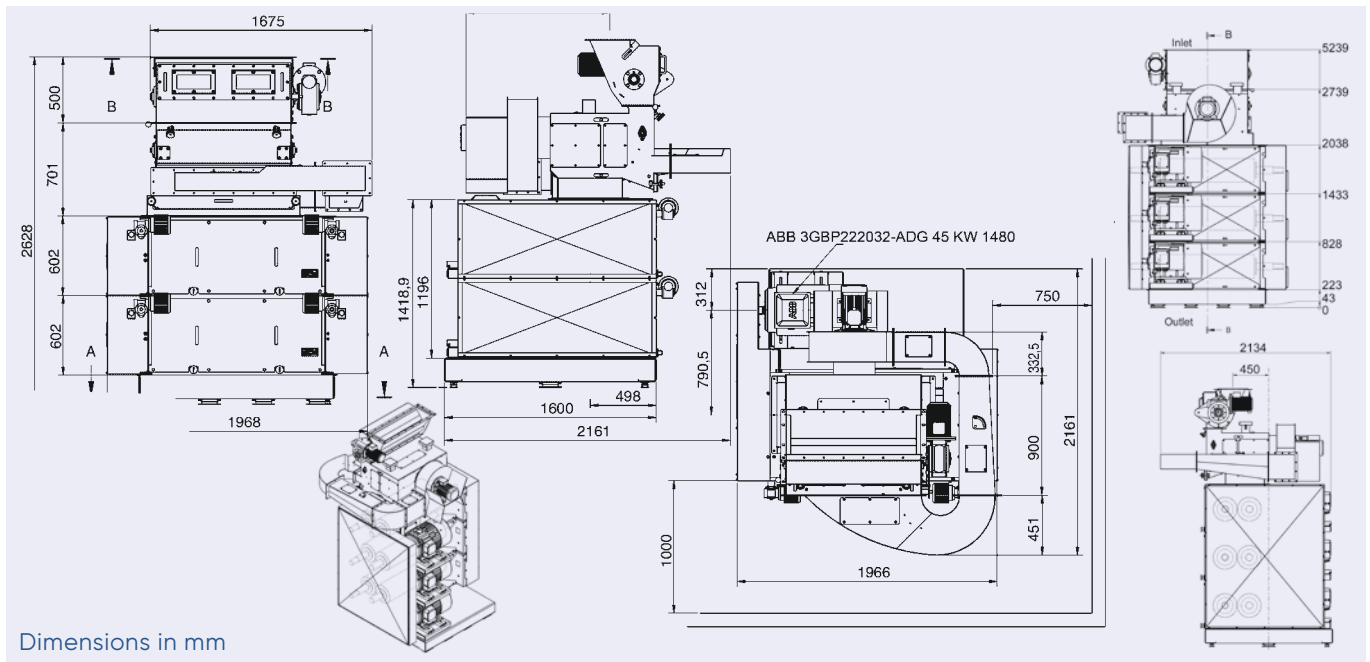
rolls, securing perfect performance, longest lifetime, and lowest energy consumption.

The RM1200 can comfortably process all known cereals, pelleted cereals/proteins, and complete animal feed recipes of any kind, with capacities extending from 10 to 40 tons/hour. ANDRITZ testing tools included with

your new crumbler allow sample-taking during operation to ensure that you have the perfect product. The ANDRITZ automatic roll adjustment system is, of course, controlled by an ANDRITZ advanced automation control system, which also provides individual settings for the crumbling process in order to obtain the perfect individual product.

**ANDRITZ**

**ENGINEERED SUCCESS**



Dimensions in mm

## TECHNICAL DATA

Type RM1200	1,2 or 3 modules	Module 1	Module 2	Module 3
Main motor	3 x 45 kW (62 HP)	1 x 45 kW (62 HP)	1 x 45 kW (62 HP)	1 x 45 kW (62 HP)
Rollers	Diameter	ø300	ø300	ø300
	Length	1200 mm	1200 mm	1200 mm
Number of grooves		150	275	475
Velocity	V-belt drive			
	Roller	A: 780 rpm	A: 780 rpm	A: 780 rpm
	Roller	B: 1120 rpm	B: 1120 rpm	B: 1120 rpm
Roller adjustment	Automatic	±0.05 mm	±0.05 mm	±0.05 mm
	Motor	0.12 kW (0.16 HP)	0.12 kW (0.16 HP)	0.12 kW (0.16 HP)
Feeding system	Rotary feeder	2.2 kW (3.0 HP)	2.2 kW (3.0 HP)	2.2 kW (3.0 HP)
Total weight	800 kg			
Capacity	Depending on raw material and application	10-40 tph	10-40 tph	10-40 tph
Control system	Option: PC-based control with graphic trends formula for specific roller setting			

CE-approved

### ANDRITZ Feed and Biofuel A/S

andritz-fb.dk@andritz.com

p: +45 72 160 300 / andritz.com/ft



All data, information, statements, photographs and graphic illustrations in this leaflet are without any obligation and raise no liabilities to or form part of any sales contracts of ANDRITZ AG or any affiliates for equipment and/or systems referred to herein. © ANDRITZ AG 2018. All rights reserved. No part of this copyrighted work may be reproduced, modified or distributed in any form or by any means, or stored in any database or retrieval system, without the prior written permission of ANDRITZ AG or its affiliates. Any such unauthorized use for any purpose is a violation of the relevant copyright laws. ANDRITZ AG, Stattegger Strasse 18, 8045 Graz, Austria.



B 0718

1163 GB